

Be
ahead

Maxima Ultra 36 QRG

Quick reference guides are not replacements for the supplied Instructions, they are supplementary.

Read and understand the Installer warnings in the main Instruction document first.

Always apply good, safe, state of the art engineering and electrical Installation principles.

Safety of the completed Installation is the ultimate responsibility of the Installer.

This product is not suitable for DIY use and should only be Installed and maintained by a Trained, Skilled, Professional Installer.



Be ahead

Cabinet/Boom Selection

Two cabinet bodies are available: MU36 & MU36XL

See chart below for configuration of both MU36 & MU36XL

One boom to cover from 2m up to 6m openings

Boom PS: boom with GOM rubber & Top Perspex cover

Boom PS: as above with ADJ-Foot (swinging leg)

Boom PS: BTM-SKIRT & Top Perspex cover

Boom PS: BTM-SKIRT+ADJ-FOOT & Top Perspex cover

Hyphen PS: to be used with XL Version

RG LED lights can be fitted to all Boom lengths

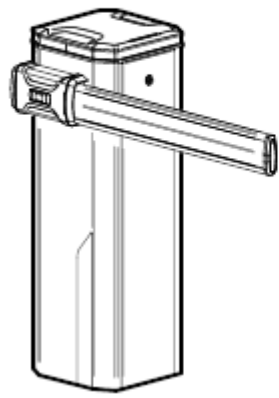
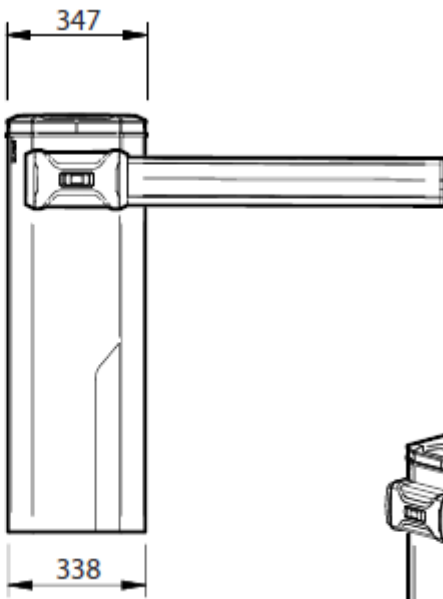
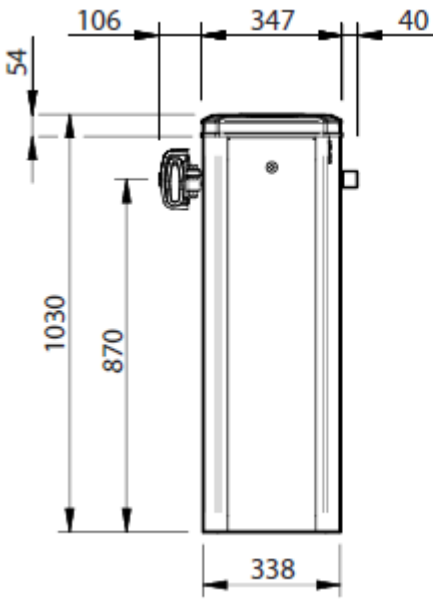
	L	2000	2500	3000	3500	4000	4500	5000	5500	6000
BOOM PS	POSITION	1	1	1	1	1	2	2	3	3
	A (mm)	130	125	110	90	125	115	100	120	105
BOOM PS + ADJ-FOOT	POSITION	/	1	1	2	2	2	3	3	2 ⁽²⁾
	A (mm)	/	110	90	125	115	100	125	110	95 ⁽²⁾
BOOM PS + BTM-SKIRT	POSITION	/	1	1	2	2	3	3	3 ⁽²⁾	3 ⁽²⁾
	A (mm)	/	110	85	120	100	120	105	125 ⁽²⁾	115 ⁽²⁾
BOOM PS + BTM-SKIRT + ADJ-FOOT	POSITION	/	1	2	2	3	3	3	3 ⁽²⁾	3 ⁽²⁾
	A (mm)	/	95	120	105	125	110	95	120 ⁽²⁾	105 ⁽²⁾

Standard
Version

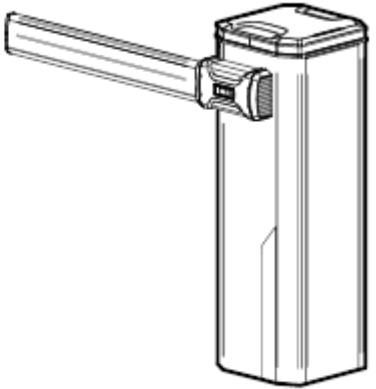
XL Version



Barrier Dimensions & Handing



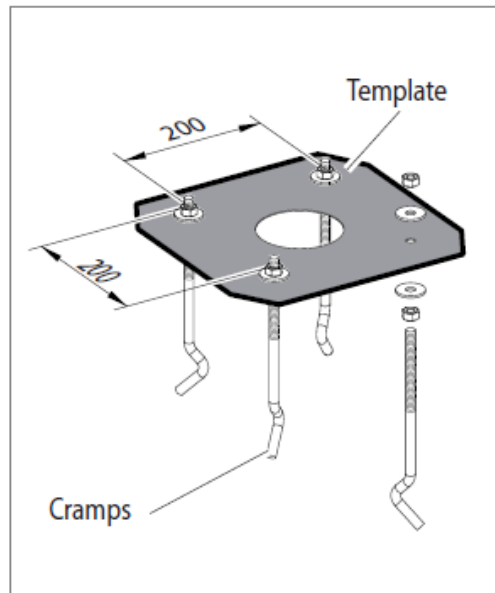
Left Hand



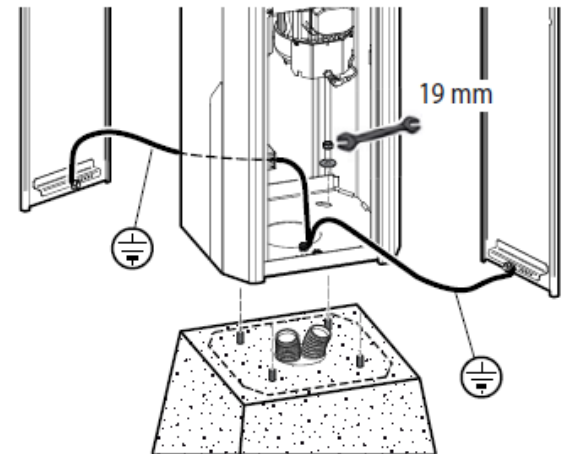
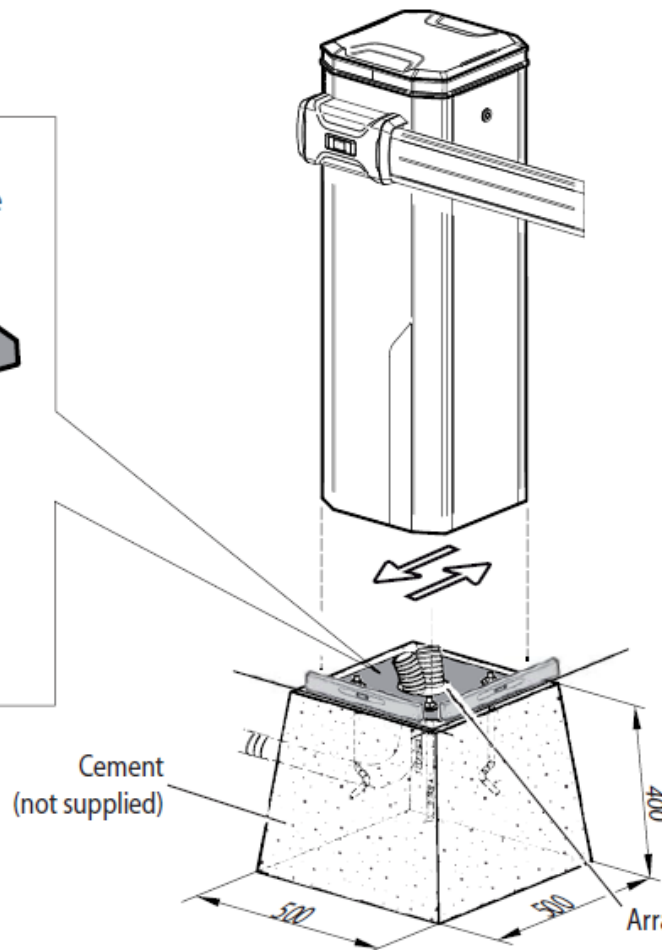
Right Hand



Installing The Cabinet



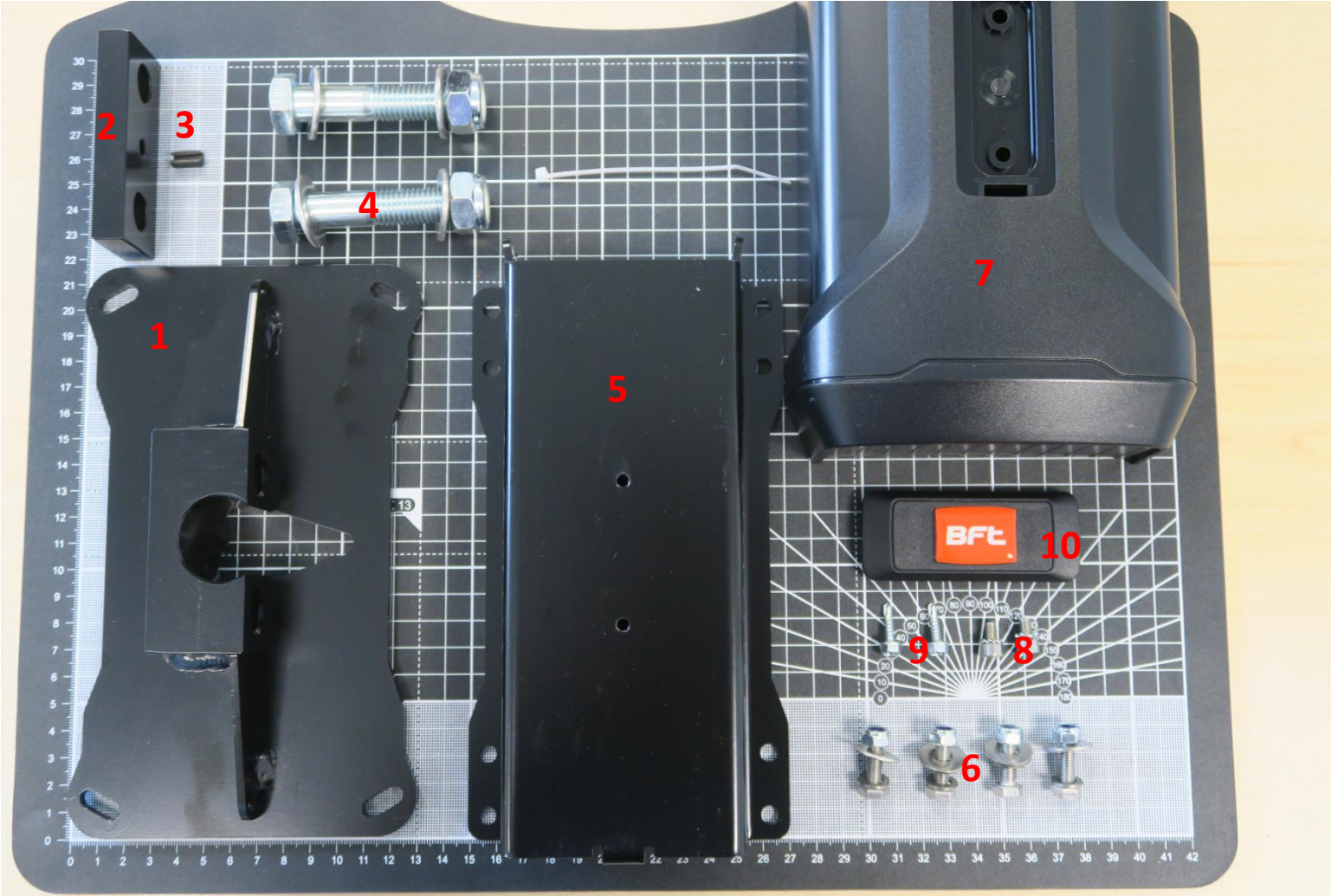
Check the direction of travel indicated on the template, for precise overlapping of the rounded corners of the barrier body



It is recommended to remove the template before securing the barrier

Arrange in the foundation corrugated tubes for power supply and system cables (not supplied)

Omega Boom Flange and Boom Holder



Step 1 Boom Flange (omega)

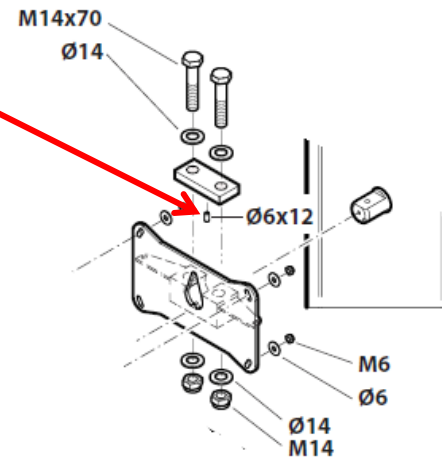
Fit the boom flange to the output shaft on the chosen side of the cabinet using the components **1, 2, 3 & 4**. Don't forget to remove the plug in the output shaft for the LED lighting kit cable if being fitted.



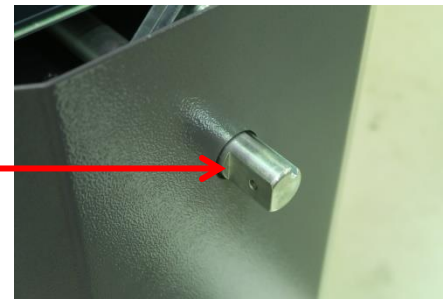
Ensure Roll Pin is fitted

3

M14 = 22mm Socket Wrench

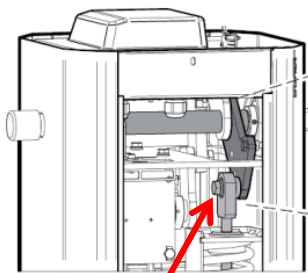


The output shaft will be in the open position from factory.

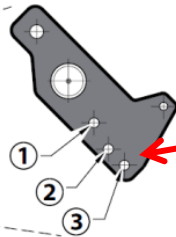


Step 2 Spring Position

The spring arm has 3 positions to suite the boom length. From the factory the fixing hole 2 is used on the MU36 and fixing hole 3 on the MU36XL so repositioning maybe required depending on the boom length. Example below shows a Boom PS at 5.5m long, hole 3.



19mm



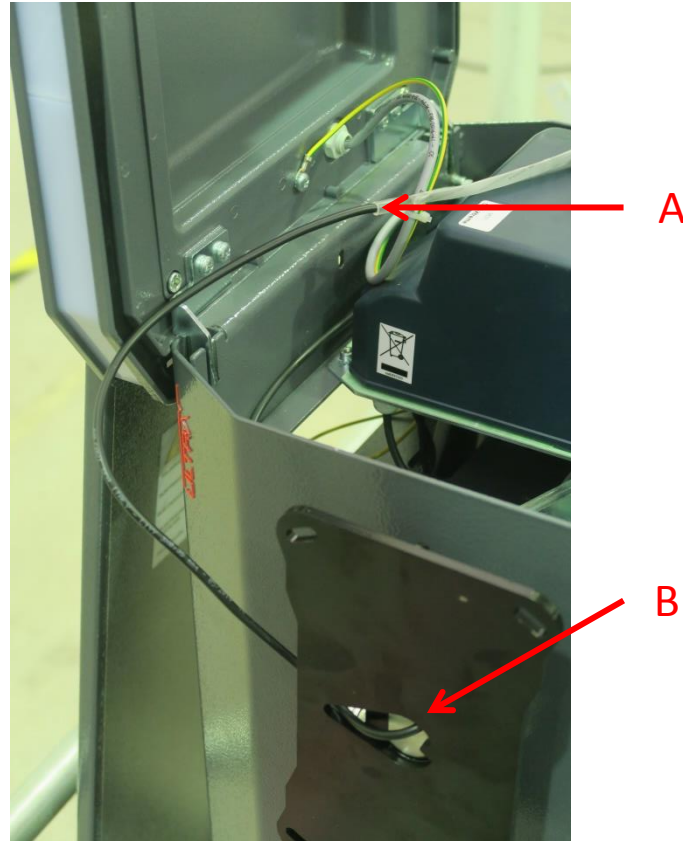
	L	2000	2500	3000	3500	4000	4500	5000	5500	6000
BOOM PS	POSITION	1	1	1	1	1	2	2	3	3
	A (mm)	130	125	110	90	125	115	100	120	105
BOOM PS + ADJ-FOOT	POSITION	/	1	1	2	2	2	3	3	2 ⁽²⁾
	A (mm)	/	110	90	125	115	100	125	110	95 ⁽²⁾
BOOM PS + BTM-SKIRT	POSITION	/	1	1	2	2	3	3	3 ⁽²⁾	3 ⁽²⁾
	A (mm)	/	110	85	120	100	120	105	125 ⁽²⁾	115 ⁽²⁾
BOOM PS + BTM-SKIRT + ADJ-FOOT	POSITION	/	1	2	2	3	3	3	3 ⁽²⁾	3 ⁽²⁾
	A (mm)	/	95	120	105	125	110	95	120 ⁽²⁾	105 ⁽²⁾

This procedure is carried out with the spring out of compression and is accessed via the back of the cabinet.

Step 3 Boom Lights

Once the boom flange is in position feed the black 3 core cable on the LED strip through from the back of the flange and through the groove in the output shaft into the cabinet.

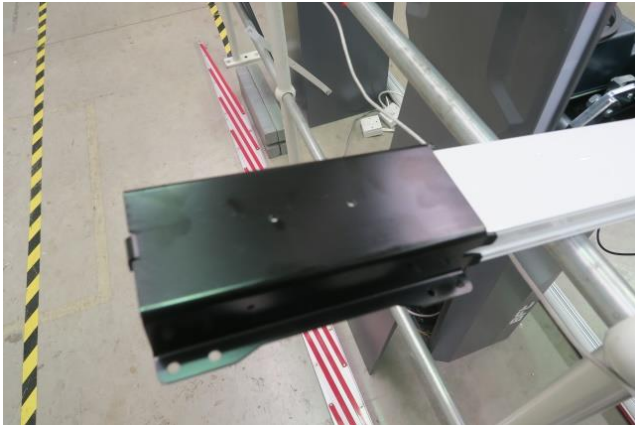
The cable from point A to point B
= 420mm



Step 4 Boom Fitting

Remove the GOM rubber profile & Top LED Lens cover from the boom.

Fit the boom arm holder **5** onto the end of the boom and bring the boom to the flange and fit 1 nut and bolt **6** as shown in fig 2.



Once the nut & bolt shown has been fitted lift the boom to the vertical position and fit the remaining 3 nuts & bolts **6**. Longer boom lengths may require two people to lift the boom to the vertical position. Do not over tighten the 4 nuts & bolts at this stage. If working on the XL model then don't forget to insert the HYPHEN reinforcement before attaching the boom to the flange.

Step 5 Power Up

Ensure the boom is in the vertical position.

1, Remove protective cover of the internal CSB Xtream control unit.

2, Route cable's up through the back of the cabinet and terminate the power cord to the control board.

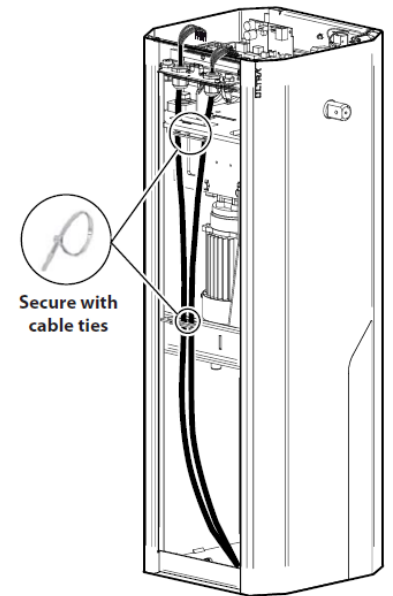
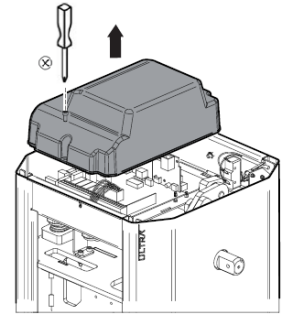
3, Apply power and let the panel boot up.

4, Defeat the STOP switch on the front cabinet door.

5, Push the START button and bring the boom to the closed position (support the boom tip if required).

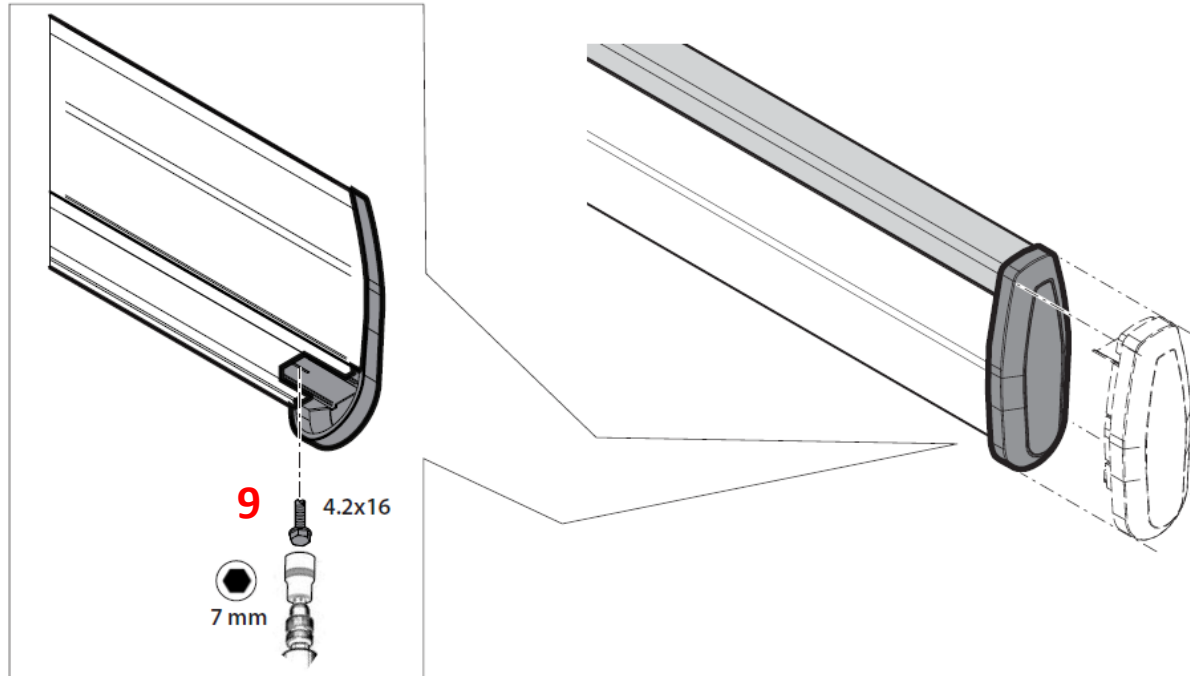
Continue to fit LED Lights, Gom & End Cap as follows.

Remove the cover of the internal control unit



Step 6 Boom PS

Tip: before fitting the GOM rubber profile temporary fit the end cap and fit with the supplied fixing. Remove cap and fixing and fit GOM rubber profile.



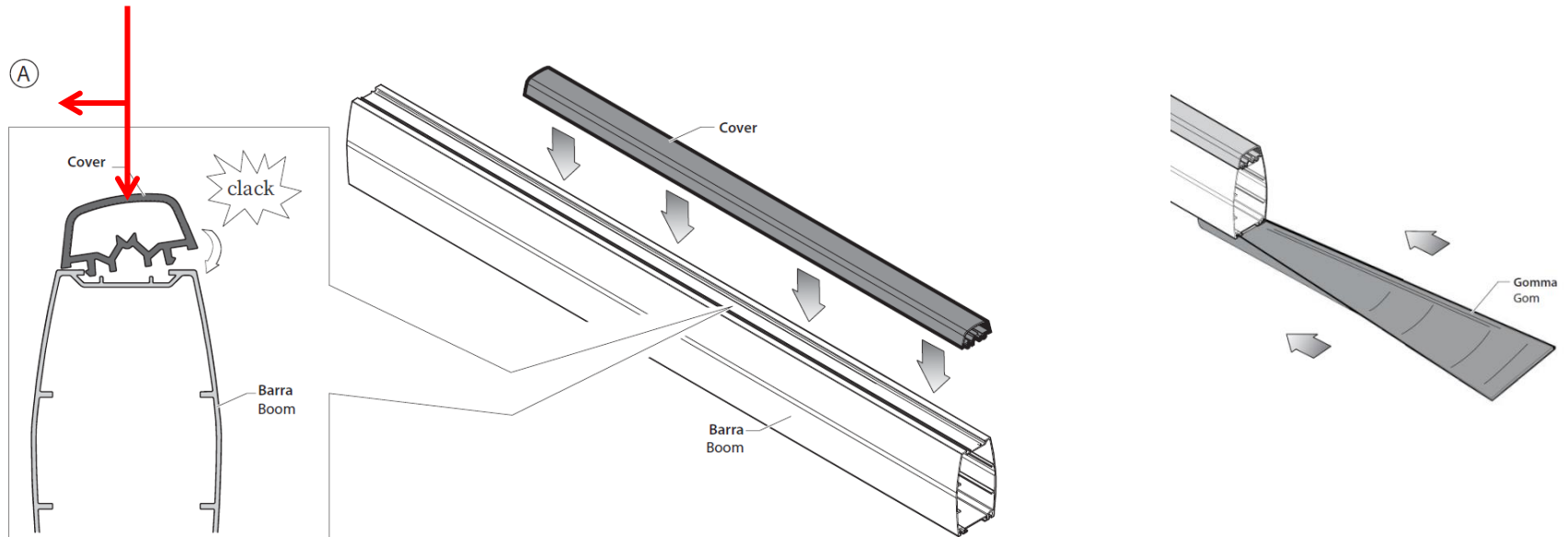
The end cap is contained within the boom along with the GOM & LED light cover

Step 7 Boom PS

Temporary fit the Boom holder cover **7** with one fixing screw **8**. and fit GOM & Cover

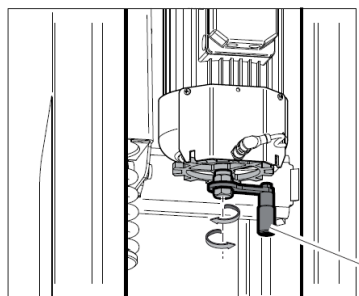
The GOM profile will slide in to the grooves on the underside of the boom and the top cover will clip onto the top of the boom. Both GOM and top cover can be cut to suite the boom length.

Tip: when fitting the top cover apply downward and sideways pressure at the same time.

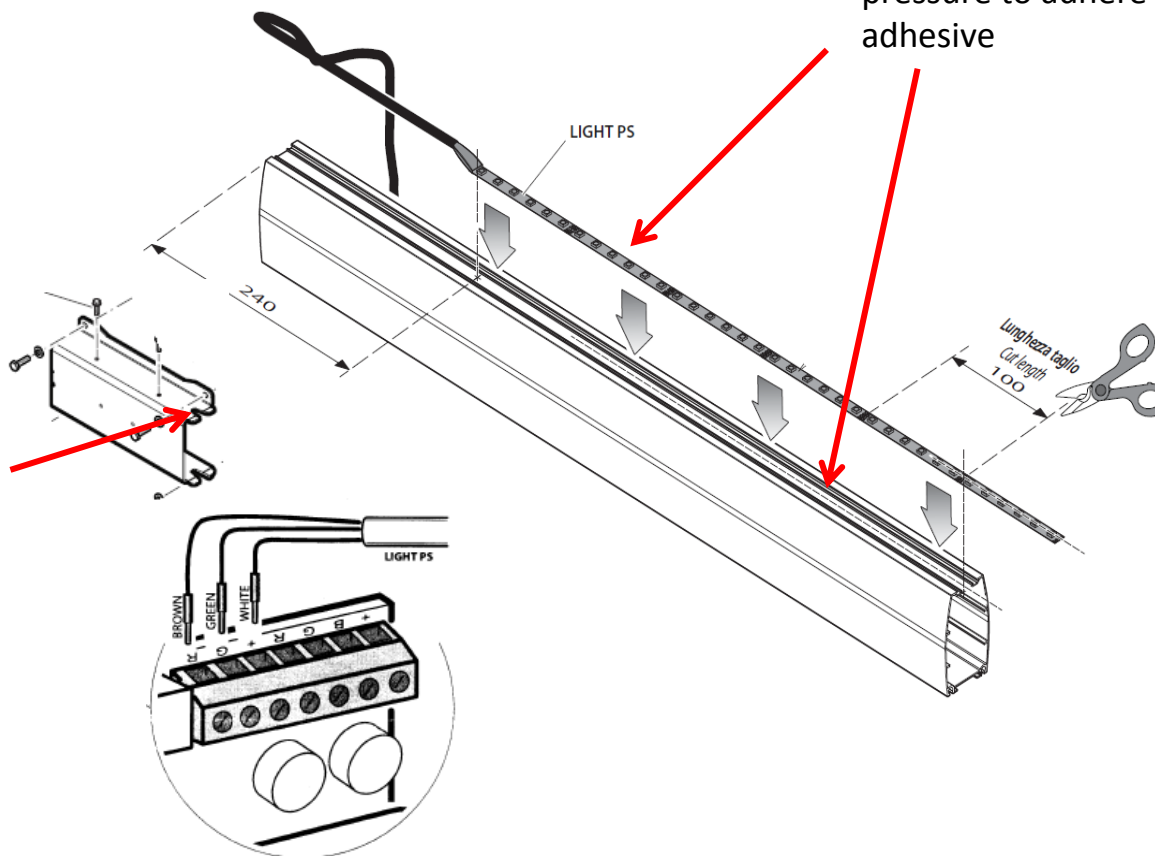


Step 8 Light PS

With the boom in the open position use the winding handle to bring the boom down to the closed position. Once the boom is in the closed position continue to fit the LED light Strip (support boom tip if required).



Start the LED strip from V in the boom holder.

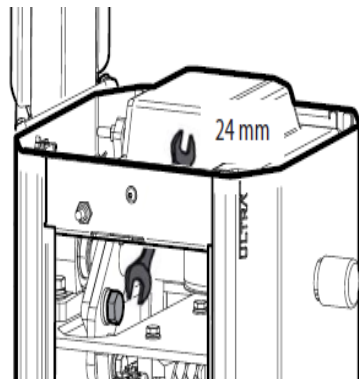
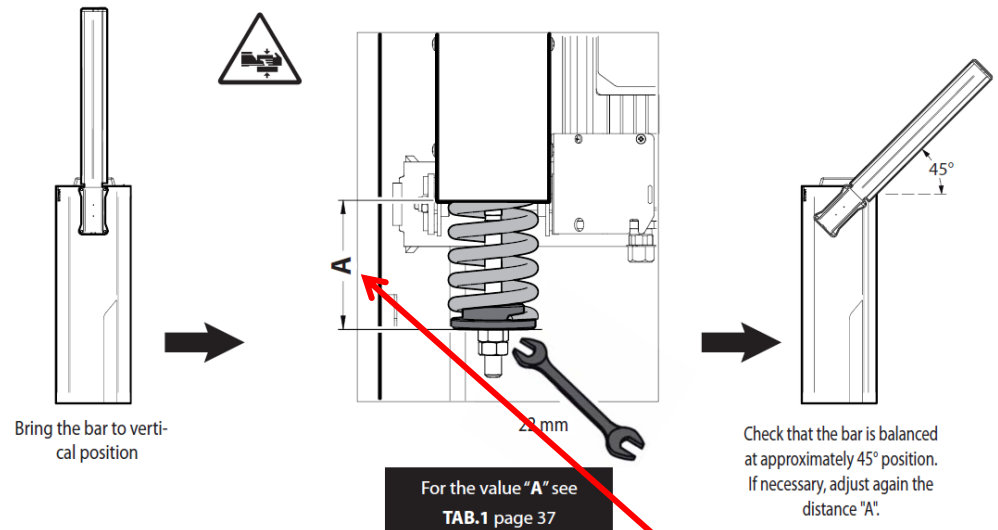


Apply the R/G led strip into the top boom channel. Apply pressure to adhere the adhesive

Step 9 Boom Balancing

- 1, Position the boom in the vertical position.
- 2, Set the A measurement as shown in the chart and the correct Position in relation to the boom length.
- 3, Remove the bolt with 24mm spanner.
- 4, Bring the boom down so that the boom rest at 45 degrees.
- 5, If necessary adjust the A measurement to balance.

Example shows 5.5m Boom PS (lights & GOM) A = 120mm,



	L	2000	2500	3000	3500	4000	4500	5000	5500	6000
BOOM PS	POSITION	1	1	1	1	1	2	2	3	3
	A (mm)	130	125	110	90	125	115	100	120	105
BOOM PS + ADJ-FOOT	POSITION	/	1	1	2	2	2	3	3	2 ⁽²⁾
	A (mm)	/	110	90	125	115	100	125	110	95 ⁽²⁾
BOOM PS + BTM-SKIRT	POSITION	/	1	1	2	2	3	3	3 ⁽²⁾	3 ⁽²⁾
	A (mm)	/	110	85	120	100	120	105	125 ⁽²⁾	115 ⁽²⁾
BOOM PS + BTM-SKIRT + ADJ-FOOT	POSITION	/	1	2	2	3	3	3	3 ⁽²⁾	3 ⁽²⁾
	A (mm)	/	95	120	105	125	110	95	120 ⁽²⁾	105 ⁽²⁾

Step10 Levelling the Boom



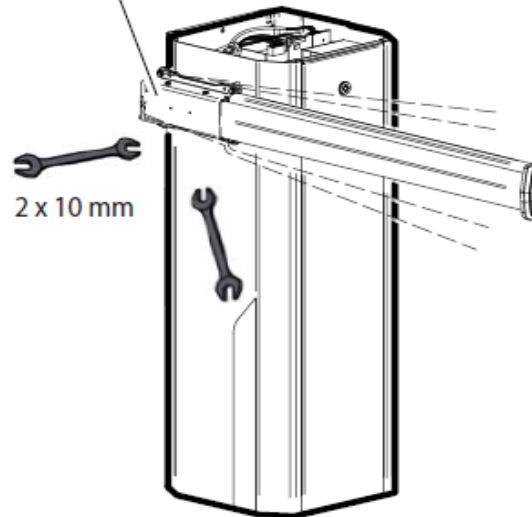
Electrically connect the control unit (see CSB-Xtreme instructions)



Use the "Start" command to bring the bar in horizontal position

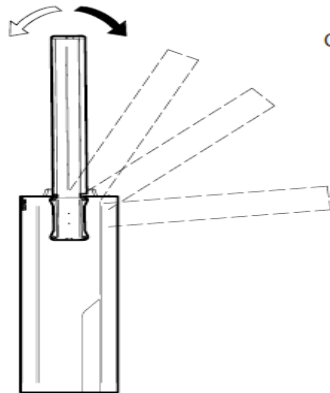
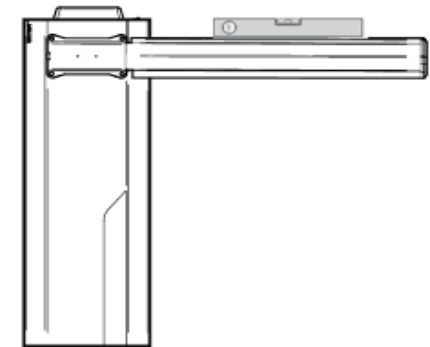
TO ALIGN THE BAR WITH THE ROAD PAVING, OPERATE THE ADJUSTABLE BAR HOLDER.

Adjustable bar holder

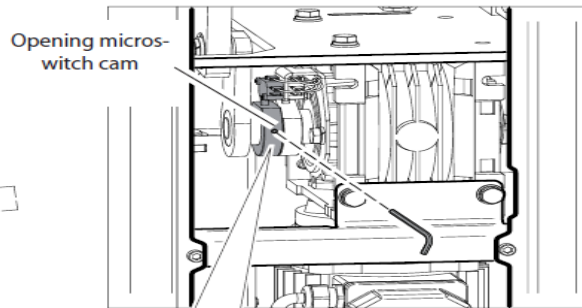


2 x 10 mm

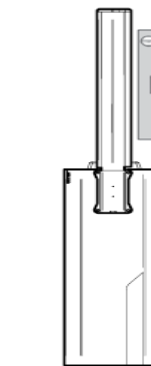
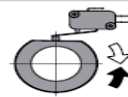
Check that the bar is in horizontal position



Use the "START" command to bring the bar to vertical position



ADJUST THE BAR VERTICALLY OPERATING THE CAM OF THE OPENING LIMIT SWITCH.



Check that the bar is in vertical position

Once levelling is complete fit boom cover & BFT logo cover **10**

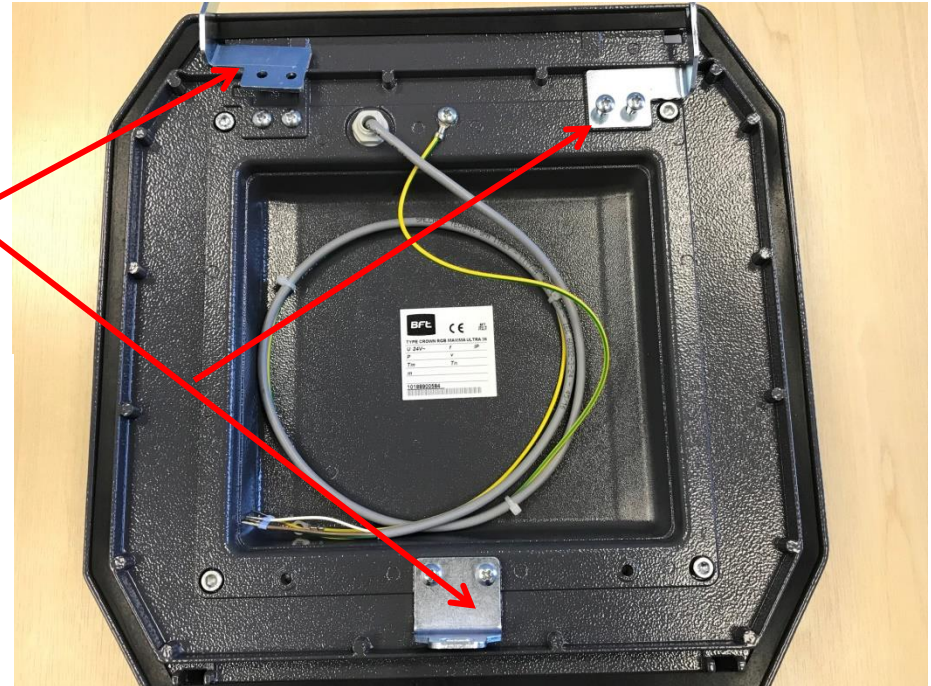
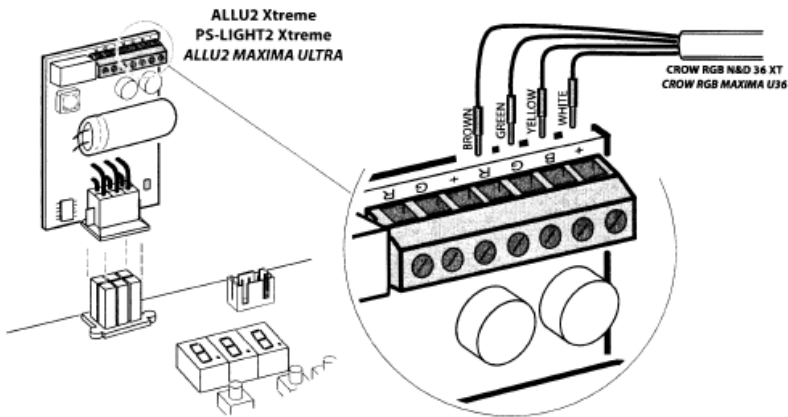
Installing the RGB Light Crown

There are two types of top crown, with LED lights and one without LED Lights. The crown is not fitted to the cabinet on delivery and the installer will need to fit the crown and wire in the LED crown if selected.

These components require fitting before installation

ALLU2 Maxima Ultra

LED LIGHT FOR CROW RGB N&D 36 XT - CROW RGB MAXIMA U36



RGB Light Crown

The RGB light crown cover has additional functions. Fault present when flashing



Encoder/Reverser



Fuse/Door/Swing Off



Inverter



Maintenance



Time Out/Limit Switch



Other Error

Two questions to ask the customer: is the crown flashing & what is the colour



RGB Light Crown

The RGB lights in the top cover can work in **2 modes**

1) Standard Red/Green for traffic lights



STOP



GO

2) Parking lights Full/Free.



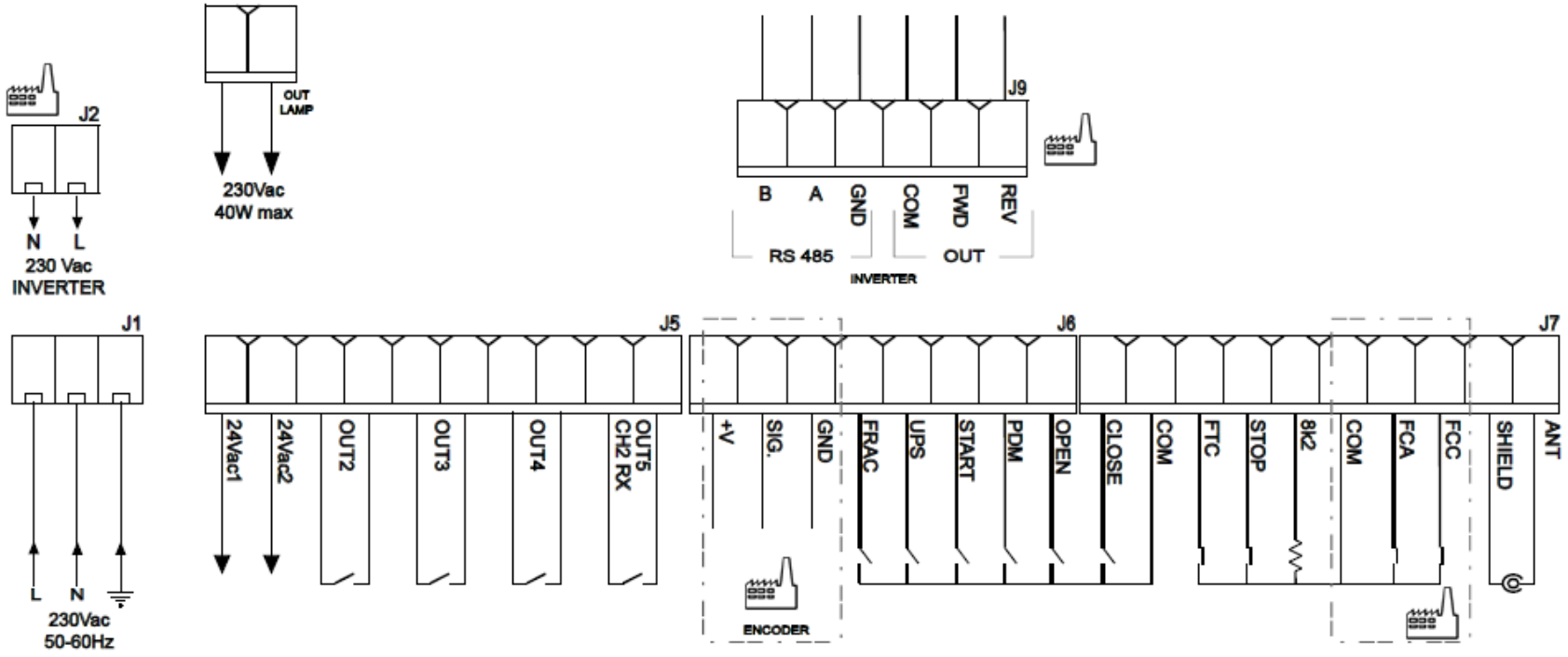
FULL



FREE

NOTE in these 2 modes the lights do NOT flash

CSB Xtream



- 19 -

See CSB Xtream instructions manual for programming